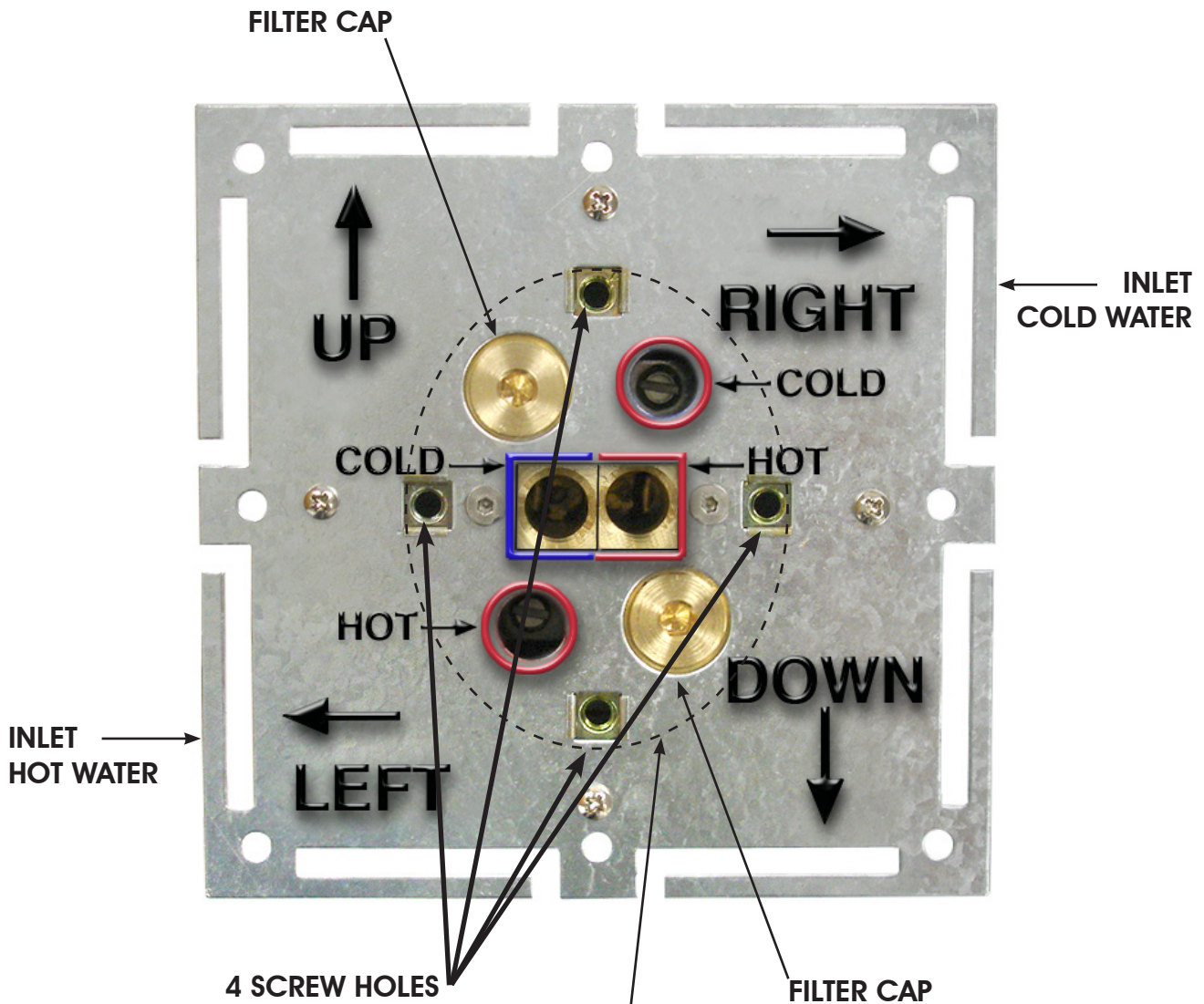


**INSTALLATION GUIDE  
HOT & COLD FLOOR OR WALL SPOUT  
TYPICAL INSTALLATION**

**PLEASE INSPECT PRODUCT PRIOR TO INSTALLING.** Carefully review all pre-assembled parts. It will be necessary for the various parts to be re-assembled exactly as shown. **NOTICE:** These instructions do not represent step-by-step directions. They are a product supplement only to be used by a qualified/licensed plumber. We recommend all plumbing fixtures be installed by a professional.

**TOP VIEW OF "TECHNO" BOX**



**dotted line represents green plastic hole cutout.**

**Install box level and true in floor or wall application as required.**

# INSTALLATION GUIDE HOT & COLD FLOOR OR WALL SPOUT TYPICAL INSTALLATION

**PLEASE INSPECT PRODUCT PRIOR TO INSTALLING.** Carefully review all pre-assembled parts. It will be necessary for the various parts to be re-assembled exactly as shown. **NOTICE:** These instructions do not represent step-by-step directions. They are a product supplement only to be used by a qualified/licensed plumber. We recommend all plumbing fixtures be installed by a professional.

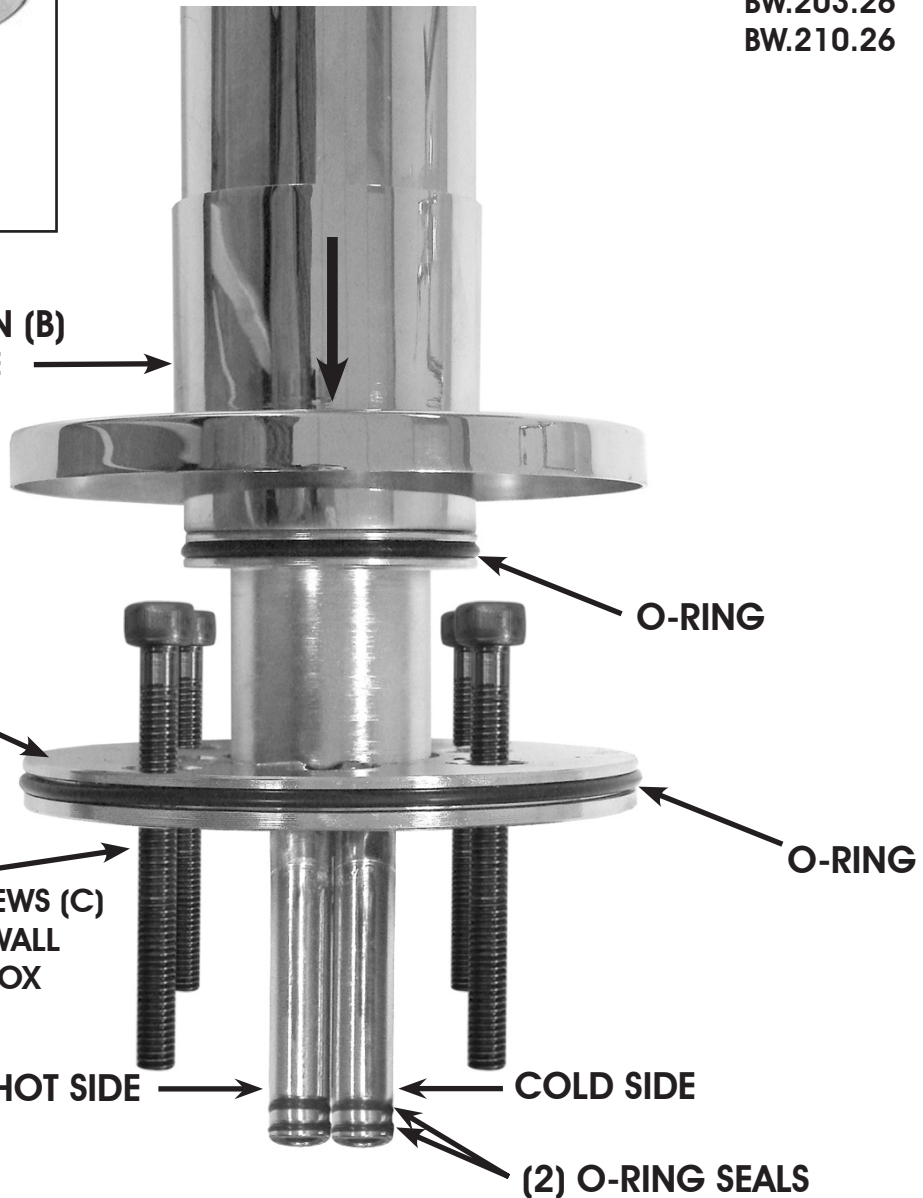


← **ASSEMBLED VIEW WITH  
COVER INSTALLED ON  
DECK BASE (A)**

## TYPICAL MODELS

BW.224.26  
BW.240.26  
BW.241.26  
BW.203.26  
BW.210.26

**COVER ESCUTCHEON (B)  
SLIDES OVER DECK BASE** →



**DECK BASE (A)** →

← **O-RING**

→ **USING 4 SUPPLIED SCREWS (C)  
BOLT INTO FLOOR OR WALL  
MOUNTED "TECHNO" BOX  
(SEE PG. 3)**

← **O-RING**

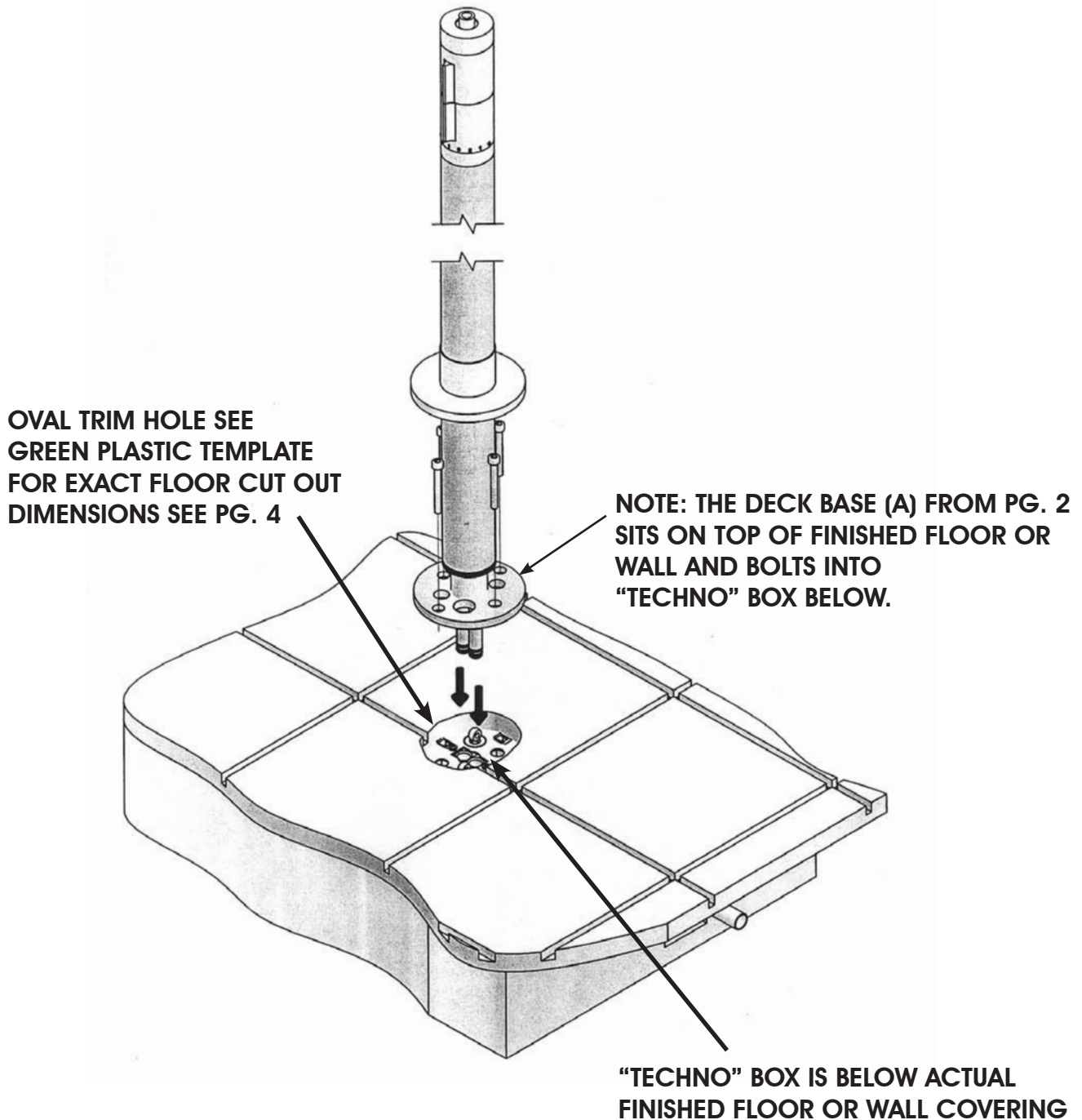
→ **HOT SIDE**

← **COLD SIDE**

← **(2) O-RING SEALS**

# INSTALLATION GUIDE HOT & COLD FLOOR OR WALL SPOUT TYPICAL INSTALLATION

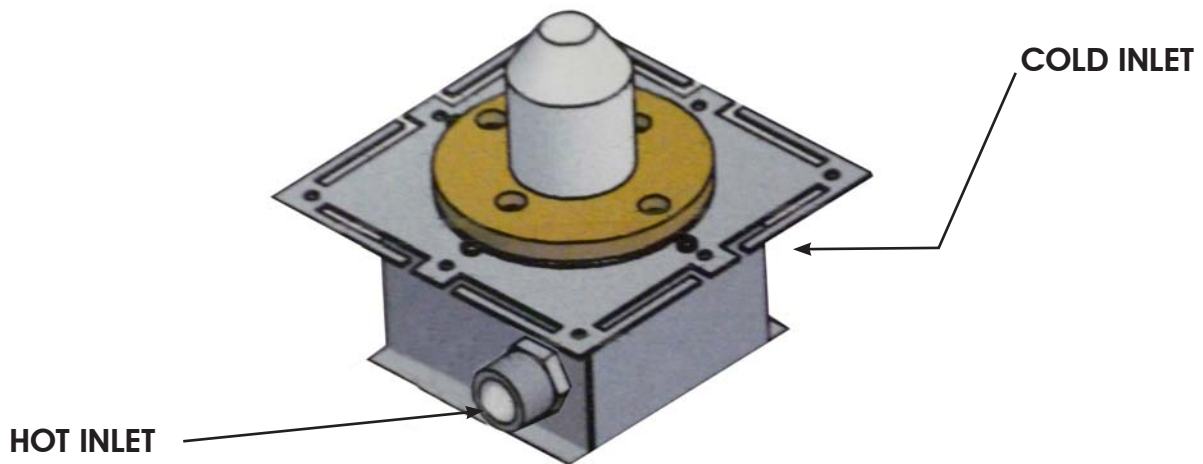
**PLEASE INSPECT PRODUCT PRIOR TO INSTALLING.** Carefully review all pre-assembled parts. It will be necessary for the various parts to be re-assembled exactly as shown. **NOTICE:** These instructions do not represent step-by-step directions. They are a product supplement only to be used by a qualified/licensed plumber. We recommend all plumbing fixtures be installed by a professional.



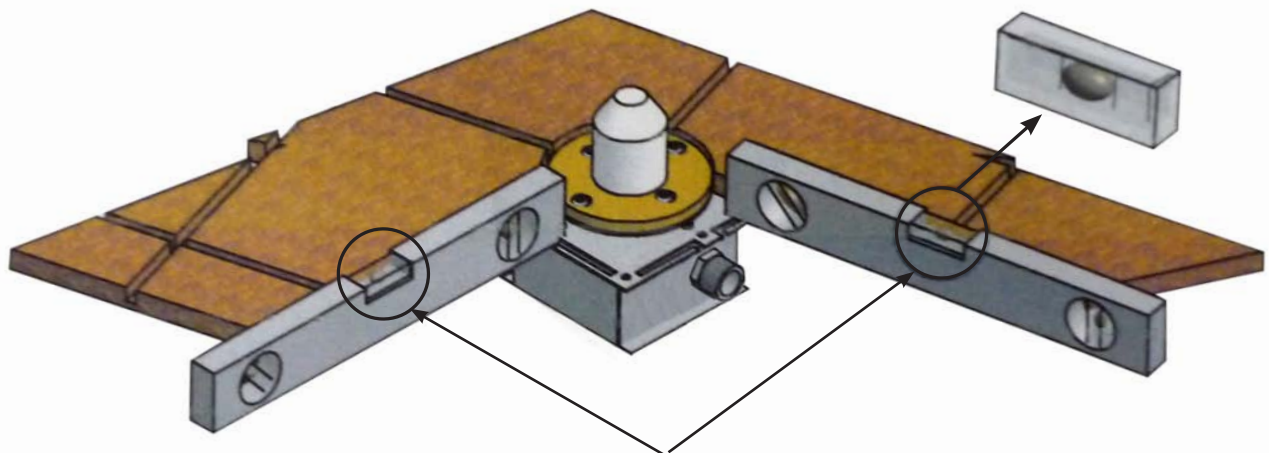
## INSTALLATION GUIDE HOT & COLD FLOOR OR WALL SPOUT TYPICAL INSTALLATION

**PLEASE INSPECT PRODUCT PRIOR TO INSTALLING.** Carefully review all pre-assembled parts. It will be necessary for the various parts to be re-assembled exactly as shown. **NOTICE:** These instructions do not represent step-by-step directions. They are a product supplement only to be used by a qualified/licensed plumber. We recommend all plumbing fixtures be installed by a professional.

**NOTE: DRAWINGS MAY VARY FROM ACTUAL "TECHNO" BOX**



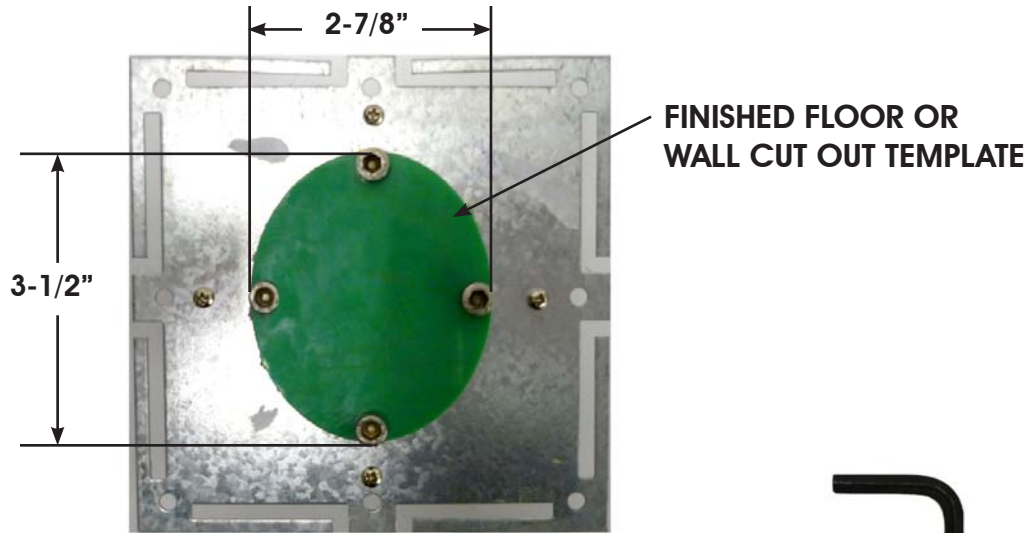
**INSTALL BOX LEVEL AND TRUE IN FLOOR OR WALL APPLICATION AS REQUIRED.**



**IT IS VERY IMPORTANT THAT THE "TECHNO" BOX IS COMPLETELY LEVEL AND TRUE IN YOUR FLOOR OR WALL OR YOUR SPOUT WILL BE SLANTED AFTER INSTALLATION**

# INSTALLATION GUIDE HOT & COLD FLOOR OR WALL SPOUT TYPICAL INSTALLATION

**PLEASE INSPECT PRODUCT PRIOR TO INSTALLING.** Carefully review all pre-assembled parts. It will be necessary for the various parts to be re-assembled exactly as shown. **NOTICE:** These instructions do not represent step-by-step directions. They are a product supplement only to be used by a qualified/licensed plumber. We recommend all plumbing fixtures be installed by a professional.



CUT OUT IS FOR FLOOR OR WALL HOLE



"TECHNO" BOX MOUNTED  
UNDERNEATH  
FLOOR OR WALL

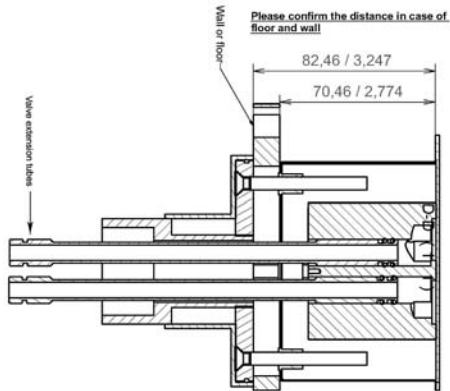
**Install box level and true in floor or wall application as required.**

# INSTALLATION GUIDE

## HOT & COLD FLOOR OR WALL SPOUT

### TYPICAL INSTALLATION

**PLEASE INSPECT PRODUCT PRIOR TO INSTALLING.** Carefully review all pre-assembled parts. It will be necessary for the various parts to be re-assembled exactly as shown. **NOTICE:** These instructions do not represent step-by-step directions. They are a product supplement only to be used by a qualified/licensed plumber. We recommend all plumbing fixtures be installed by a professional.



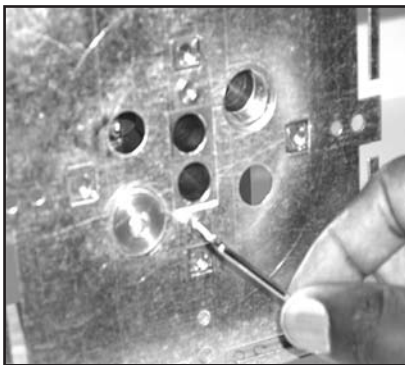
**The combination valve and filter mounting box is used for a few different applications. Attention to pre-assembled parts is key.**

**Wall or deck mount installation specifications vary with regard to actual mounting surface.**

Carefully review all pre-assembled parts. It will be necessary for the various parts to be reassembled exactly as shown.

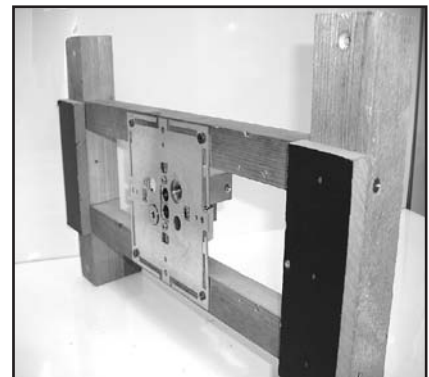
**STEP #1:** Mount hot and cold housing valve/filter box to mounting bracket supplied by others

**STEP #2:** Using supplied hex key screws mount the box to your deck or in the wall as shown.

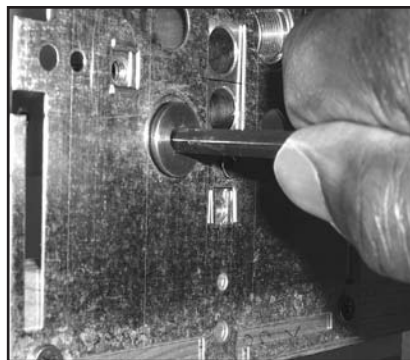


Allen key mounts box to plate

**SEE NOTES**



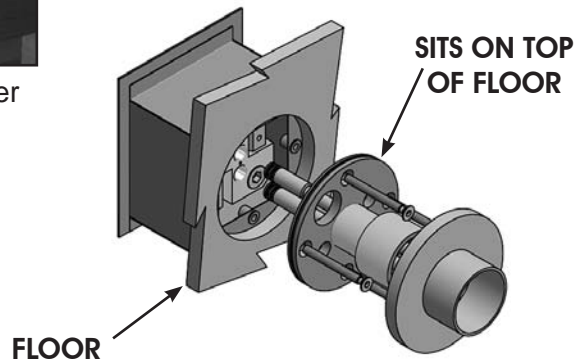
Finished bracket and box with approx 6" wall stud placement.



Hex key opens filter box cover

**STEP #3:** Insert hot and cold water extension tubes as needed through mounting cover plate and screw into position with hex key.

**STEP #4:** Finish the installation by adding your shower arm, deck mount spout or shower system.



# INSTALLATION GUIDE

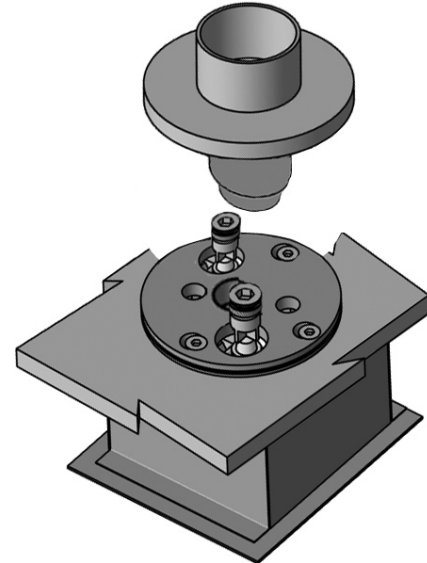
## HOT & COLD FLOOR OR WALL SPOUT

### TYPICAL INSTALLATION

**PLEASE INSPECT PRODUCT PRIOR TO INSTALLING.** Carefully review all pre-assembled parts. It will be necessary for the various parts to be re-assembled exactly as shown. **NOTICE:** These instructions do not represent step-by-step directions. They are a product supplement only to be used by a qualified/licensed plumber. We recommend all plumbing fixtures be installed by a professional.

The Box houses the valves and filters for the deck mount Tub Filler, shower arms and thermostatic shower systems. The need to replace a thermostatic valve or supply filter may occur. This technical guide will walk you through accessing the box from the installed component level.

**Figure 1 - Shows cut out of a deck mount unit with base cover lifted to expose the two filter cases and mounting plate.**



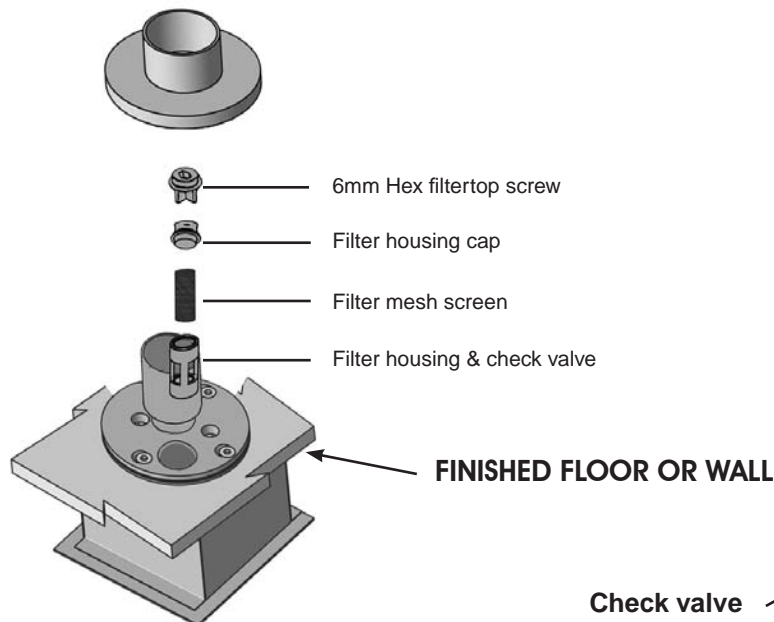
**FIGURE # 1**

#### FILTER REPLACEMENT

**STEP #1:** Lift the base cover to gain access to the filters. Using a 6mm Allen Hex key (supplied by others) unscrew the filtertop screws.

**STEP #2:** Carefully remove the mesh filter housing units.

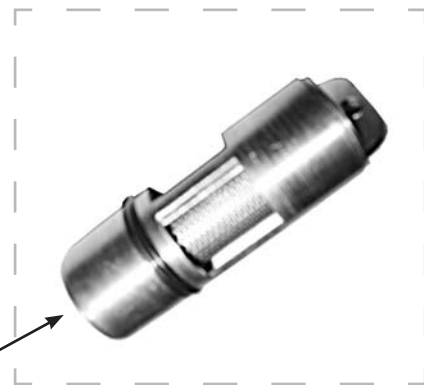
**STEP #3:** Clean or replace the filter, reinsert and lock the filters into place tightening the hex screws.



**FIGURE # 2**

**Figure 2 - Shows filter case housing and break out of mesh screen and housing cap.**

**CLOSE UP VIEW**  
Remove with needle nose pliers



### VALVE CARE

Your 1/4 turn ceramic valve will provide you a lifetime of service when cared for properly. The most common valve problem is a result of debris in the water line, such as sand, silt, solder, metal shavings, lime deposits or other foreign particles. Debris can become lodged between the ceramic discs and result in improper functioning of the open and close action of the valve. Particles can even cause cracks in the ceramic discs and render the cartridge useless. For further information, please contact Bluewater Manufacturing Corporation @ 877-890-8006 or fax your request to 877-373-0649

### BLUE WATER MANUFACTURING CORPORATION LIMITED PRODUCT WARRANTY

**Product/Finish Warranty:** Bluewater Manufacturing Corporation warrants that products are free from manufacturing defects in materials and workmanship for five (5) years from date of invoice. In addition, our Finish Warranty provides limited LIFETIME coverage for Chrome & PVD finishes, five (5) years for powder coated finishes & Polished Gold. Living finishes are warranted for workmanship only. If any material proves to be defective after inspection by our company, it will be repaired or replaced at our discretion at no charge. However, no claims for labor, shipping costs, or consequential damages will be accepted.

**What we will do:** We will restore any product whose finish proves to be defective back to its original finish at no charge during the appropriate warranty period stated above. Proof of purchase must be provided. After the warranty period, **Bluewater Manufacturing Corporation** will refinish any of its faucets at the prevailing appropriate charge.

**What you must do:** The faucets must be properly installed according to our instructions and specifications and are for residential use only. The faucets cannot be altered in any way. You must maintain and clean the faucets in accordance with the instructions provided with the product. You must use the faucet(s) for residential use only.

**How to obtain service:** Send your name, address, and telephone number along with a statement describing the nature of the problem and your paid sales slip or other proof of purchase to:

**BLUE WATER MANUFACTURING CORPORATION**  
3280 Corporate View  
Vista, CA 92081

We will then contact you and take appropriate action. Do not send us any part(s) of your faucet(s) or its various connecting hoses unless we have contacted you and have sent you an approved RGA form. All transportation charges for returned goods must be paid by the customer.

**What is not covered:** This warranty does not cover the crystal/glass, or porcelain products of any faucet or the drain assembly or aerator or other than the Chrome or PVD finishes. This warranty also does not cover damage caused by accident, alterations, misuse, abuse, normal wear and tear, lime deposits, direct exposure to salty air or corrosive materials, or the color change that takes place with the passage of time, or use in any manner contrary to **Bluewater Manufacturing Corporation's** printed instructions. Cartridge warranties vary. Please call factory for details. In the case of in-the-wall installations, **Bluewater Manufacturing Corporation** will assume no liability if there is no access. **In no event will we be liable for labor of any kind, incidental or consequential damages.** This warranty is extended in lieu of all other expressed or implied warranties, whether oral or written. **Many installation compounds are harmful to brass and metal finishes. The use of any lead-based or acidic curing adhesive, silicone, mastic, or plumber's putty on or near our finished products will void the finish warranty. Use only sealants which are neutral curing and are not reactive with metal and brass finishes.** **Bluewater Manufacturing Corporation** reserves the right to change, modify or alter its products as deemed necessary. This warranty supersedes any other American Faucet & Coatings Corporation warranties, whether oral or written.

*Unless otherwise contrary to state law governing the purchase, **Bluewater Manufacturing Corporation's** liability will not exceed the wholesale price for the **Bluewater Manufacturing Corporation** product considered defective. This warranty gives you specific legal rights, and you may also have other rights which vary from state to state. Some states do not allow exclusion of incidental or consequential damages, so the above limitation may not apply to you.*

### LIFETIME WARRANTY ON 1/4 TURN CERAMIC DISC CARTRIDGE

Should the ceramic disc cartridge in your faucet ever fail, **Bluewater Manufacturing Corporation** will replace the failed part free of charge to the original purchaser of the product. Your cost will be a \$15.95 handling and mailing charge. Labor not included. When ordering replacements, denote for widespread or centerset lavatory, Roman Tub, or other. Include age of faucet. (This does not include thermostatic, pressure balance, kitchen or diverter cartridges.)

### NOTICE

**Bluewater Manufacturing Corporation** products are ICC-ES PMG listed and are tested to ASME A112.18.1/CSA B125.1-2011 and ASSE 1016, and comply with NSF/ANSI 61-2011a and NSF372 - 2010 for basin faucet, bar faucets, and kitchen faucets as required.